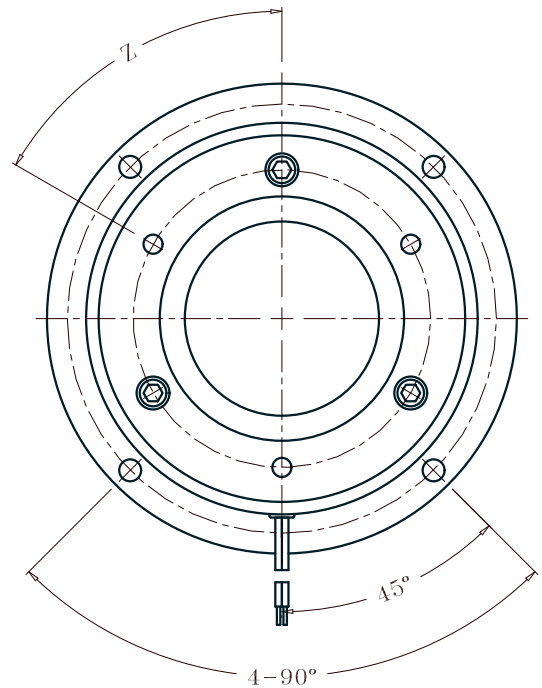
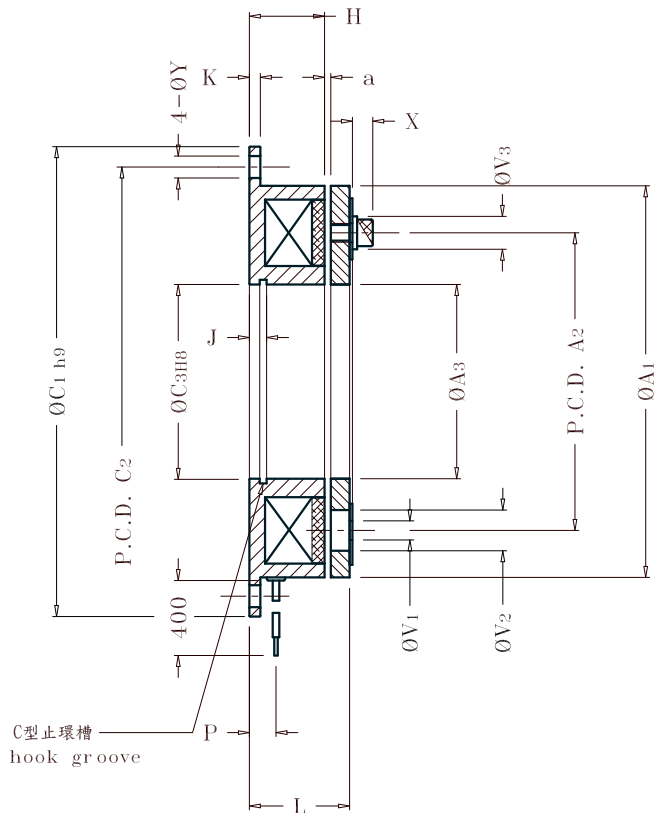


HELISTAR

EBF- □ □

電磁制動器(法蘭安裝型)

Brake (Flange Type)



| 型號 Model | 0.6 | 1.5 | 2.5 | 5 | 10 | 20 | 40 | |
|--------------------|------|-----------|-----------|-----------|--------------------------------------|--------------------------------------|-------------------------------------|-------------------------------------|
| 徑向尺寸 (Diameter) | A1 | 63 | 80 | 100 | 125 | 160 | 200 | 250 |
| | A2 | 46 | 60 | 76 | 95 | 120 | 158 | 210 |
| | A3 | 34.5 | 41.5 | 51.5 | 61.5 | 79.5 | 99.5 | 124.5 |
| | C1 | 80 | 100 | 125 | 150 | 190 | 230 | 290 |
| | C2 | 72 | 90 | 112 | 137 | 175 | 215 | 270 |
| | C3 | 35 | 42 | 52 | 62 | 80 | 100 | 125 |
| | V1 | 3-3.1 | 3-4.1 | 3-5.1 | 3-6.1 | 3-8.1 | 3-8.2 | 4-12.2 |
| | V2 | 3-6.3 | 3-8 | 3-10.5 | 3-12 | 3-15 | 3-18 | 4-22 |
| | V3 | 3-5.5 | 3-7 | 3-8.5 | 3-11 | 3-13 | 3-17 | 4-20 |
| | Y | 5 | 6 | 7 | 7 | 9.5 | 9.5 | 11.5 |
| | Z | 6-60° | 6-60° | 6-60° | 6-60° | 6-60° | 6-60° | 8-45° |
| 軸向尺寸 (Length) | H | 18 | 20 | 22 | 24 | 26 | 30 | 35 |
| | J | 3.5 | 4.3 | 5 | 5.5 | 6 | 7 | 8 |
| | K | 2.1 | 2.6 | 3.1 | 3.6 | 4.1 | 5.1 | 6.1 |
| | L | 22 | 24.5 | 28 | 31 | 35 | 41.5 | 48 |
| | P | 7.3 | 8.3 | 9 | 9.3 | 11.7 | 13.4 | 16 |
| | X | 2.5 | 2.85 | 3.3 | 3.3 | 3.5 | 4.9 | 5.5 |
| | a | 0.2 ±0.05 | 0.2 ±0.05 | 0.2 ±0.05 | 0.3 ^{+0.05} _{-0.1} | 0.3 ^{+0.05} _{-0.1} | 0.5 ^{+0.0} _{-0.2} | 0.5 ^{+0.0} _{-0.2} |
| 質量 weight | 0.28 | 0.50 | 0.91 | 1.68 | 3.15 | 5.90 | 10.50 | |